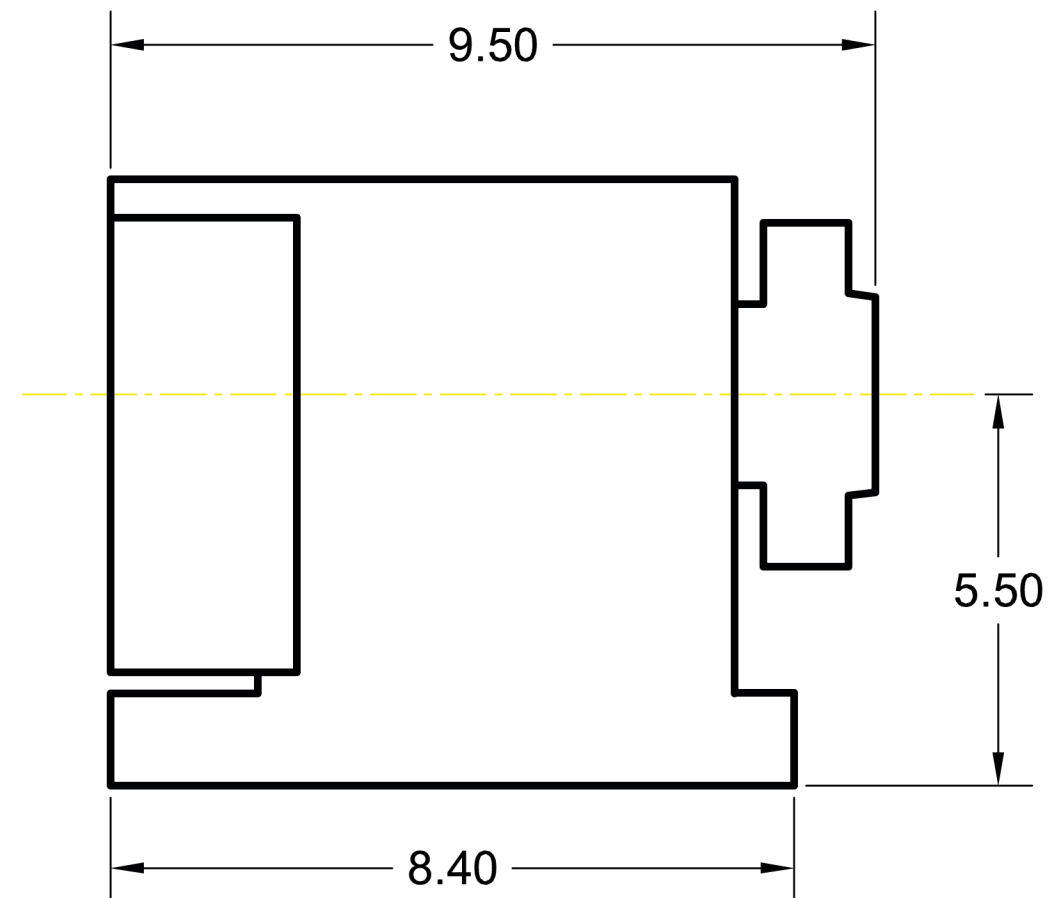
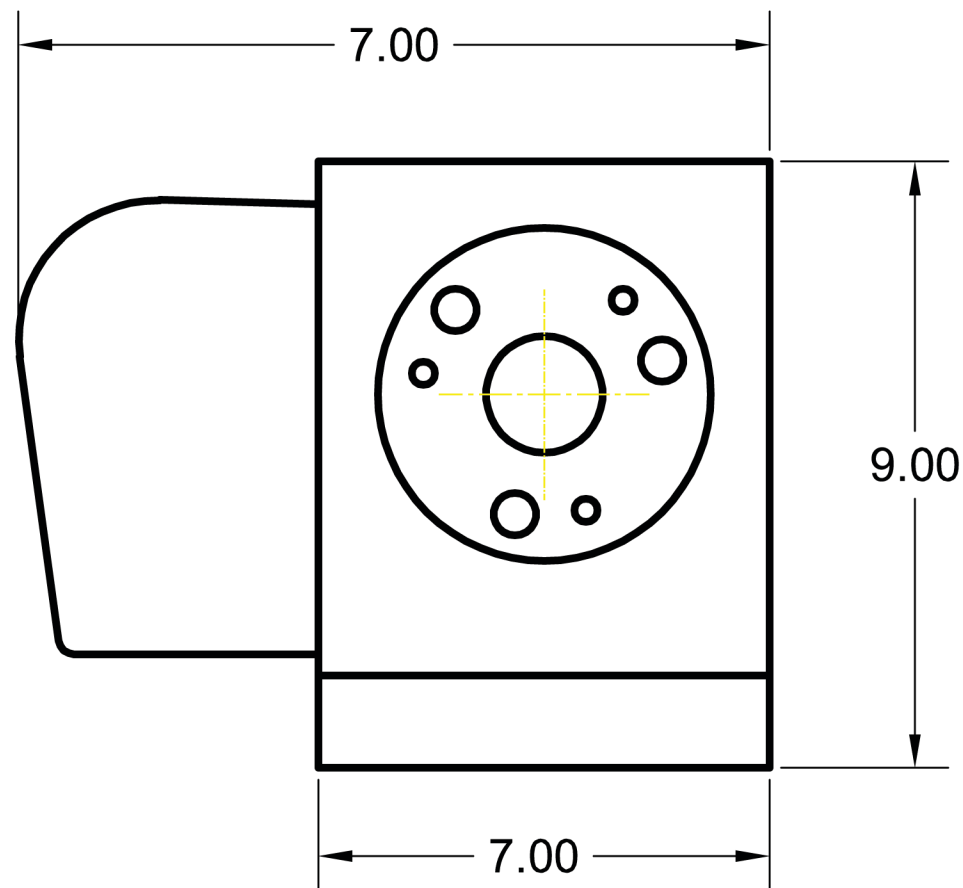


the **InTurn™ MEGA**  
Indexing and Turning 4th axis  
Basic Outline Dimensions



- \* "Stress-Proof" Steel Spindle
- \* 7075 Aluminum Plate Frame
- \* Universal Spindle Mount includes:
  - D1-4 Cam Loc
  - A1-4 Standard (bolt on)

- \* Internal Pneumatic Spindle Lock
- \* Direct Drive Ratio 4:1
- \* 'Back Gear' Ratio 12:1
- \* Nominal HP rating: 3HP
- \* Balanced for 4,000 RPM

Please Visit  
[www.theInTurn.com](http://www.theInTurn.com)  
for specifications  
videos and prices