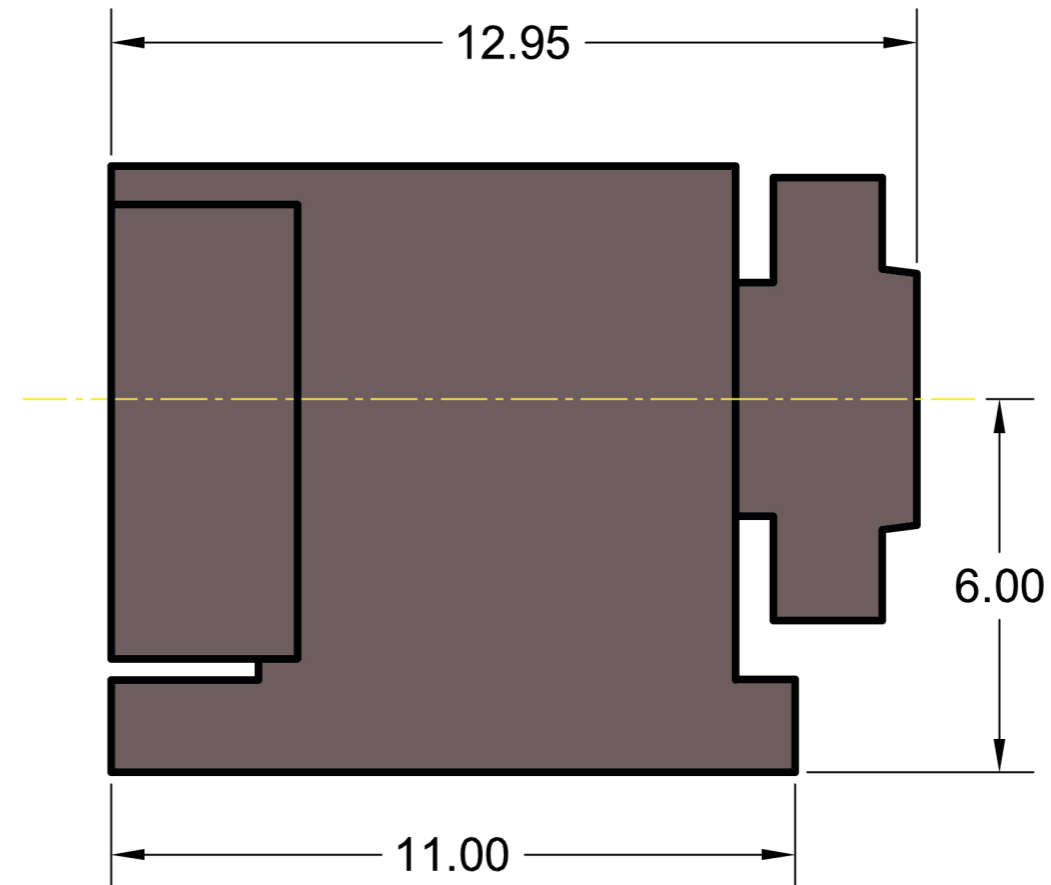
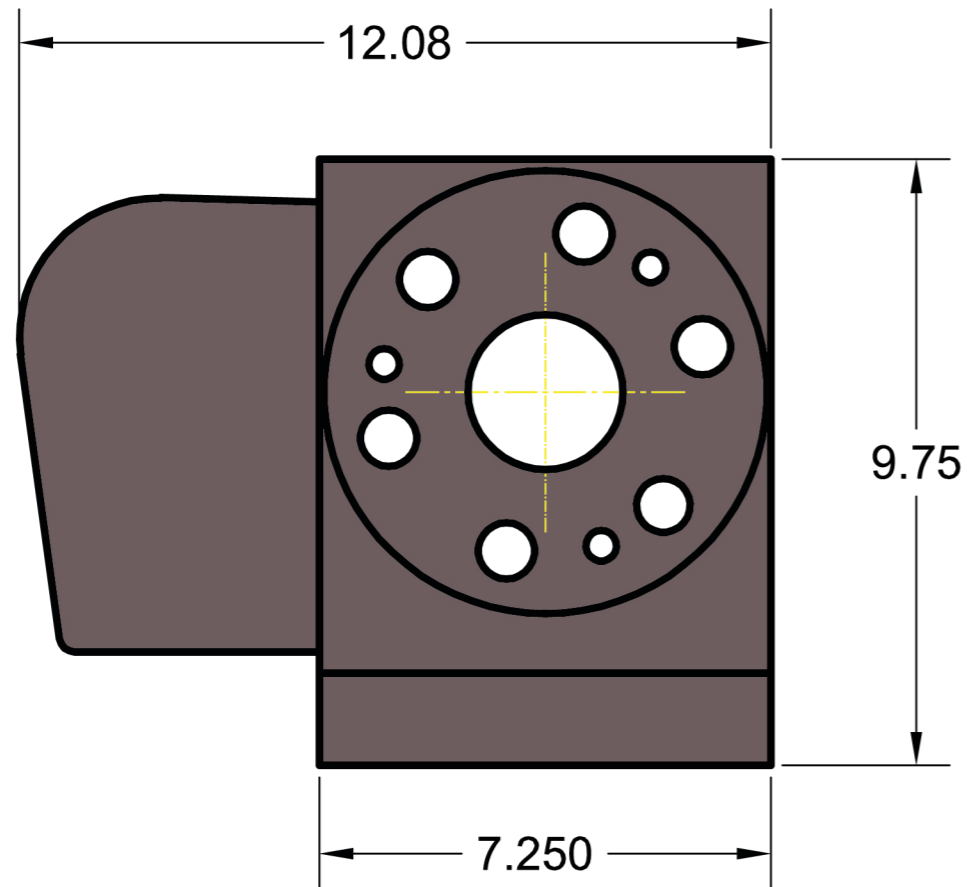


the **InTurn™ ULTRA**
Indexing and Turning 4th axis
Basic Outline Dimensions



- * Forged 4140 Chrome-Moly Steel Spindle
- * 7075 Aluminum Plate Frame
- * Universal Spindle Mount includes:
 - D1-6 Cam Loc
 - A1-6 Standard (bolt on)

- * Internal Pneumatic Spindle Lock
- * Direct Drive Ratio 3:1
- * 'Back Gear' Ratio 7.5:1
- * Nominal HP rating: 5HP
- * Balanced for 4,000 RPM

Please Visit
www.theInTurn.com
for specifications
videos and prices